

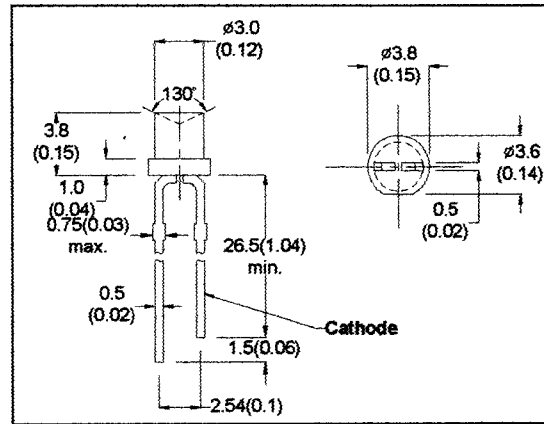
MICRO ELECTRONICS

MOB34D
MSB34D
MYB34D
 3mm CYLINDRIC
 LED LAMPS

DESCRIPTION

This series of solid state indicators are 3mm diameter cylindric lamps

MGB34D is green LED with a green diffused lens.
 MOB34D is orange LED with an orange diffused lens.
 MOB34DR is orange LED with a red diffused lens.
 MSB34D is red LED with a red diffused lens.
 MYB34D is yellow LED with a yellow diffused lens.



- All Dimension in mm (inch)
- No Scale
- Tol: +/- 0.3mm

ABSOLUTE MAXIMUM RATINGS

Power Dissipation @ $T_a=25^\circ\text{C}$
 Forward Current, DC (IF)
 Reverse Voltage
 Operating & Storage Temperature Range
 Lead Soldering Temperature (1/16" from body)

MSB34D

45mW
 15mA
 5V

MYB34D

60mW
 20mA
 5V

MGB34D

MOB34D

MOB34DR

90mW
 30mA
 5V

-50 to +100°C
 260°C for 5 sec.

ELECTRO-OPTICAL CHARACTERISTICS ($T_a=25^\circ\text{C}$)

PARAMETER	SYMBOL	MGB34D	MOB34D	MOB34DR	MSB34D	MYB34D	UNIT	CONDITIONS
Forward Voltage	MAX VF	3.0	3.0	3.0	3.0	3.0	V	IF=20mA
Reverse Breakdown Voltage	MIN BVR	5	5	5	5	5	V	IR=100 μA
Luminous Intensity	MIN IV	6	4	4	0.4 *	3	mcd	IF=20mA
	TYP	10	6	6	0.5 *	5	mcd	
Peak Wavelength	TYP λ_p	570	630	640	700	585	nm	IF=20mA
Spectral Line Half Width	TYP $\Delta\lambda$	30	40	40	100	35	nm	IF=20mA
Viewing Angle	TYP 2θ 1/2	140	140	140	140	140	degree	IF=20mA

*IF=10mA

MICRO ELECTRONICS LTD.

38, Hung To Road, Microtron Building, Kwun Tong, Kowloon, Hong Kong.
 Kwun Tong P.O. Box 69477 Hong Kong. Fax No. 2341 0321 Telex:43510 Micro Hx. Tel: 2343 0181-5

Feb-96

This datasheet has been download from:

www.datasheetcatalog.com

Datasheets for electronics components.