

Anbefalede arbejds-spænding/strøm:

Forward strøm: 10 – 20 mA

Forward spænding: 2,0 – 2,2 V

Part Num.:LBT72R1C-CSC-C

Emitting Color:Red

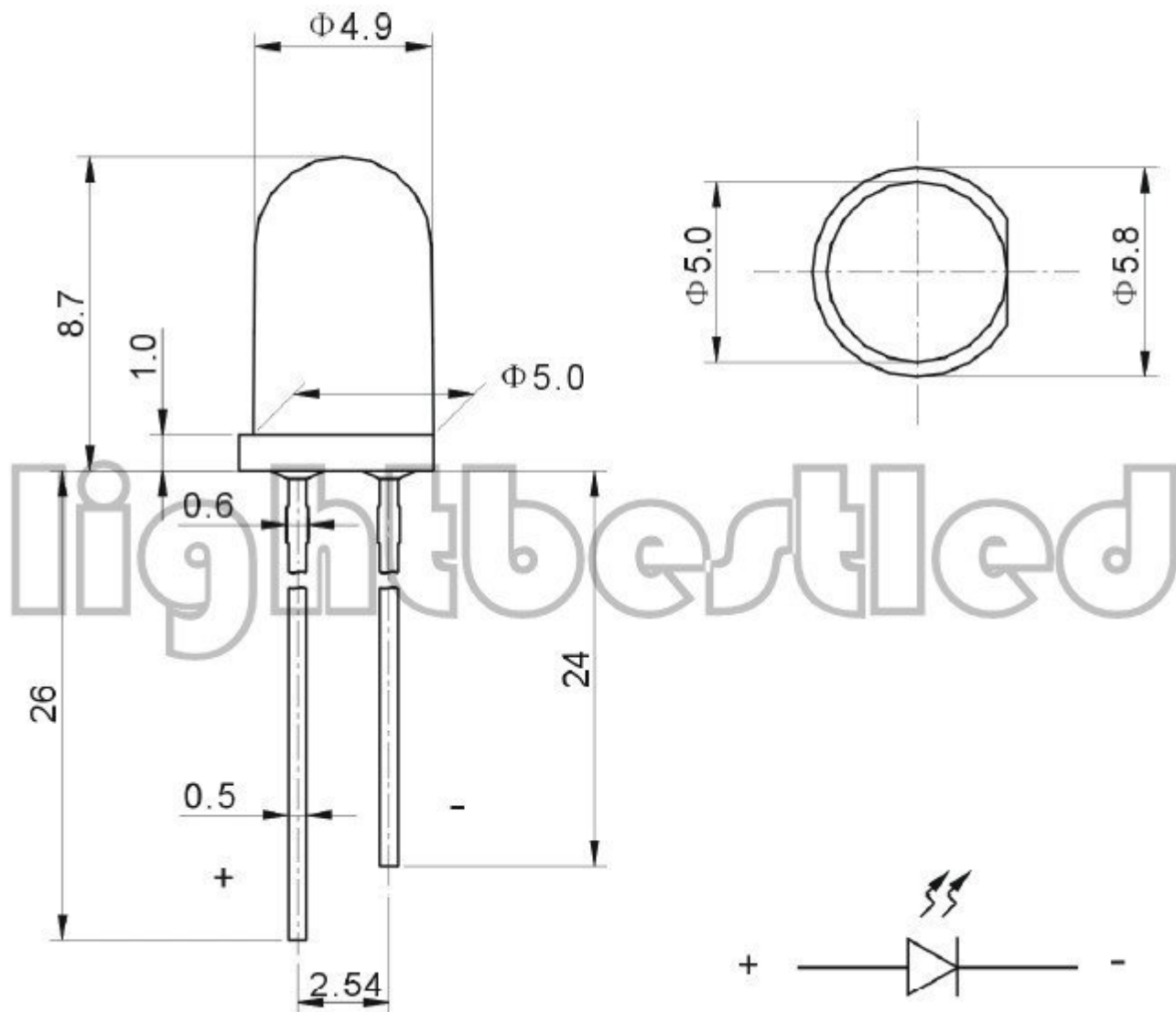
Wave Length:620~635nm

Lens Type:Water Clear

VF:0.8~2.2V

IV:3000~4000mcd

Pulse:1.5HZ



NOTE:TOLERANCE ± 0.5 mm

Absolute Maximum Ratings at Ta=25°C

Parameter	Symbol	MAX.	Unit
Power Dissipation	P_D	100	mW
Transient Peak Current (1/10 Duty Cycle,0.1ms Pulse Width)	I_{FP}	200	mA
Continuous Forward Current	I_F	25	mA
Reverse Voltage	V_R	5	V
Operating Temperature Range	T_{opr}	-40°C to +80°C	
Storage Temperature Range	T_{stg}	-40°C to +80°C	
Lead Soldering Temperature (3mm from body)	T_{sol}	260°C for 5 Seconds	