

DM74LS283 4-Bit Binary Adders with Fast Carry

General Description

These full adders perform the addition of two 4-bit binary numbers. The sum (Σ) outputs are provided for each bit and the resultant carry (C4) is obtained from the fourth bit. These adders feature full internal look ahead across all four bits. This provides the system designer with partial look-ahead performance at the economy and reduced package count of a ripple-carry implementation.

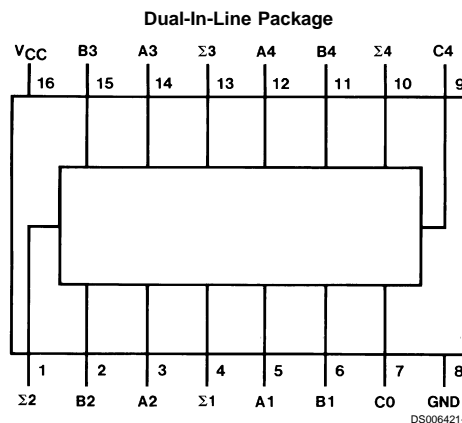
The adder logic, including the carry, is implemented in its true form meaning that the end-around carry can be accomplished without the need for logic or level inversion.

- Systems achieve partial look-ahead performance with the economy of ripple carry
- Typical add times
 - Two 8-bit words 25 ns
 - Two 16-bit words 45 ns
- Typical power dissipation per 4-bit adder 95 mW
- Alternate Military/Aerospace device (54LS283) is available. Contact a Fairchild Semiconductor Sales Office/Distributor for specifications.

Features

- Full-carry look-ahead across the four bits

Connection Diagram



Order Number 54LS283DMQB, 54LS283FMQB, 54LS283LMQB,
DM54LS283J, DM54LS283W, DM74LS283M or DM74LS283N
See Package Number E20A, J16A, M16A, N16E or W16A

Absolute Maximum Ratings (Note 1)

Supply Voltage	7V	DM54LS and 54LS	-55°C to +125°C
Input Voltage	7V	DM74LS	0°C to +70°C
Operating Free Air Temperature Range		Storage Temperature Range	-65°C to +150°C

Recommended Operating Conditions

Symbol	Parameter	DM54LS283			DM74LS283			Units
		Min	Nom	Max	Min	Nom	Max	
V _{CC}	Supply Voltage	4.5	5	5.5	4.75	5	5.25	V
V _{IH}	High Level Input Voltage	2			2			V
V _{IL}	Low Level Input Voltage			0.7			0.8	V
I _{OH}	High Level Output Current			-0.4			-0.4	mA
I _{OL}	Low Level Output Current			4			8	mA
T _A	Free Air Operating Temperature	-55		125	0		70	°C

Note 1: The "Absolute Maximum Ratings" are those values beyond which the safety of the device cannot be guaranteed. The device should not be operated at these limits. The parametric values defined in the "Electrical Characteristics" table are not guaranteed at the absolute maximum ratings. The "Recommended Operating Conditions" table will define the conditions for actual device operation.

Electrical Characteristics

over recommended operating free air temperature range (unless otherwise noted)

Symbol	Parameter	Conditions	Min	Typ (Note 2)	Max	Units	
V _I	Input Clamp Voltage	V _{CC} = Min, I _I = -18 mA			-1.5	V	
V _{OH}	High Level Output Voltage	V _{CC} = Min, I _{OH} = Max	DM54	2.5	3.4	V	
		V _{IL} = Max, V _{IH} = Min	DM74	2.7	3.4		
V _{OL}	Low Level Output Voltage	V _{CC} = Min, I _{OL} = Max	DM54		0.25	0.4	V
		V _{IL} = Max, V _{IH} = Min	DM74		0.35	0.5	
		I _{OL} = 4 mA, V _{CC} = Min	DM74		0.25	0.4	
I _I	Input Current @ Max Input Voltage	V _{CC} = Max V _I = 7V	A, B		0.2	mA	
			C0		0.1		
I _{IH}	High Level Input Current	V _{CC} = Max V _I = 2.7V	A, B		40	µA	
			C0		20		
I _{IL}	Low Level Input Current	V _{CC} = Max V _I = 0.4V	A, B		-0.8	mA	
			C0		-0.4		
I _{OS}	Short Circuit Output Current	V _{CC} = Max	DM54	-20	-100	mA	
			DM74	-20	-100		
I _{CC1}	Supply Current	V _{CC} = Max (Note 4)		19	34	mA	
I _{CC2}	Supply Current	V _{CC} = Max (Note 5)		22	39	mA	

Note 2: All typicals are at V_{CC} = 5V, T_A = 25°C.

Note 3: Not more than one output should be shorted at a time, and the duration should not exceed one second.

Note 4: I_{CC1} is measured with all outputs open, all B inputs low and all other inputs at 4.5V, or all inputs at 4.5V.

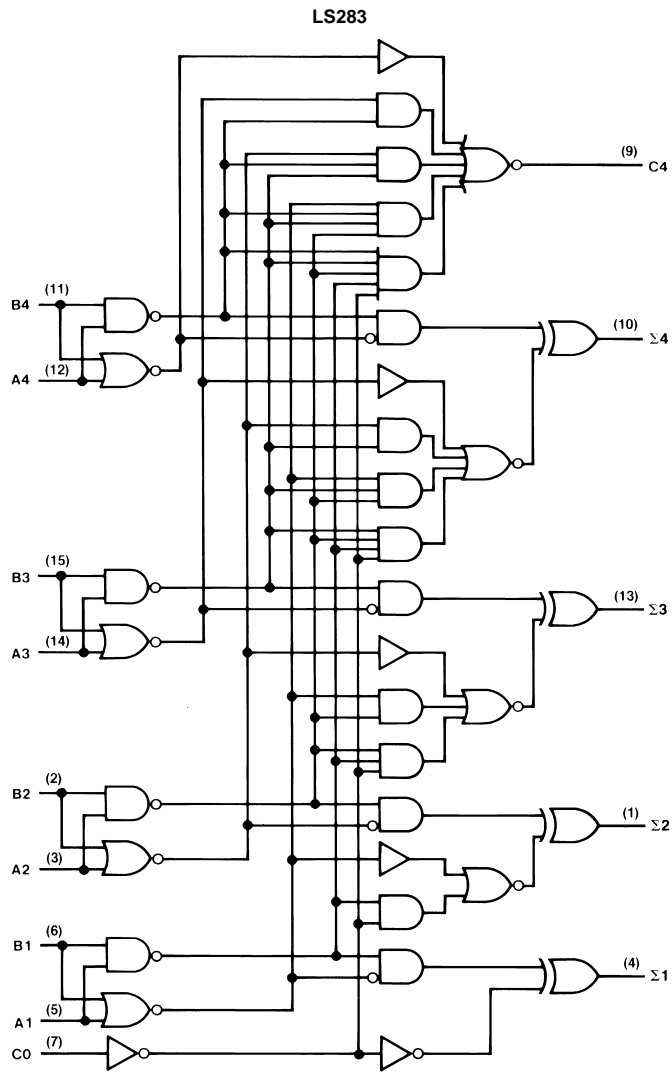
Note 5: I_{CC2} is measured with all outputs open and all inputs grounded.

Switching Characteristics

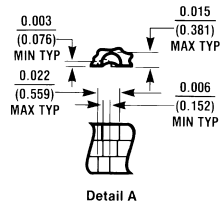
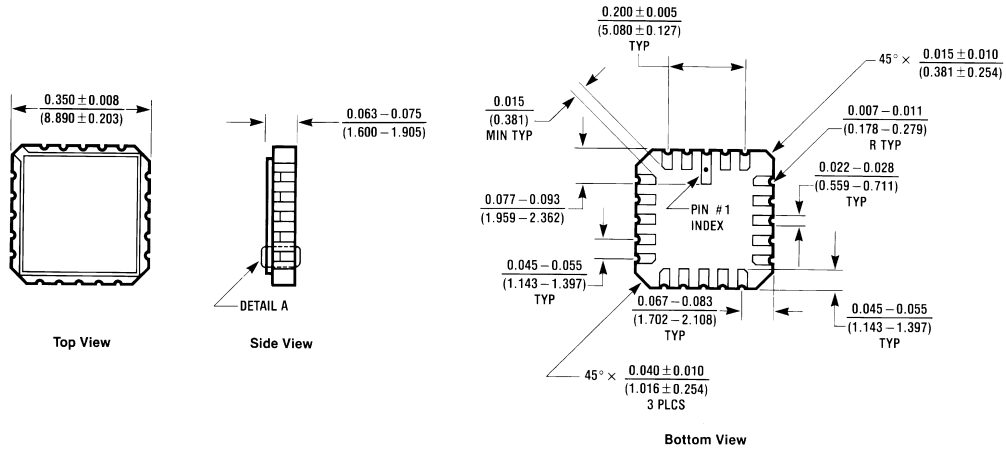
at $V_{CC} = 5V$ and $T_A = 25^\circ C$

Symbol	Parameter	From (Input) To (Output)	$R_L = 2\text{ k}\Omega$				Units
			$C_L = 15\text{ pF}$		$C_L = 50\text{ pF}$		
			Min	Max	Min	Max	
t_{PLH}	Propagation Delay Time Low to High Level Output	C0 to $\Sigma 1, \Sigma 2$		24		28	ns
t_{PHL}	Propagation Delay Time High to Low Level Output	C0 to $\Sigma 1, \Sigma 2$		24		30	ns
t_{PLH}	Propagation Delay Time Low to High Level Output	C0 to $\Sigma 3$		24		28	ns
t_{PHL}	Propagation Delay Time High to Low Level Output	C0 to $\Sigma 3$		24		30	ns
t_{PLH}	Propagation Delay Time Low to High Level Output	C0 to $\Sigma 4$		24		28	ns
t_{PHL}	Propagation Delay Time High to Low Level Output	C0 to $\Sigma 4$		24		30	ns
t_{PLH}	Propagation Delay Time Low to High Level Output	A_i or B_i to Σ_i		24		28	ns
t_{PHL}	Propagation Delay Time High to Low Level Output	A_i or B_i to Σ_i		24		30	ns
t_{PLH}	Propagation Delay Time Low to High Level Output	C0 to C4		17		24	ns
t_{PHL}	Propagation Delay Time High to Low Level Output	C0 to C4		17		25	ns
t_{PLH}	Propagation Delay Time Low to High Level Output	A_i or B_i to C4		17		24	ns
t_{PHL}	Propagation Delay Time High to Low Level Output	A_i or B_i to C4		17		26	ns

Logic Diagram

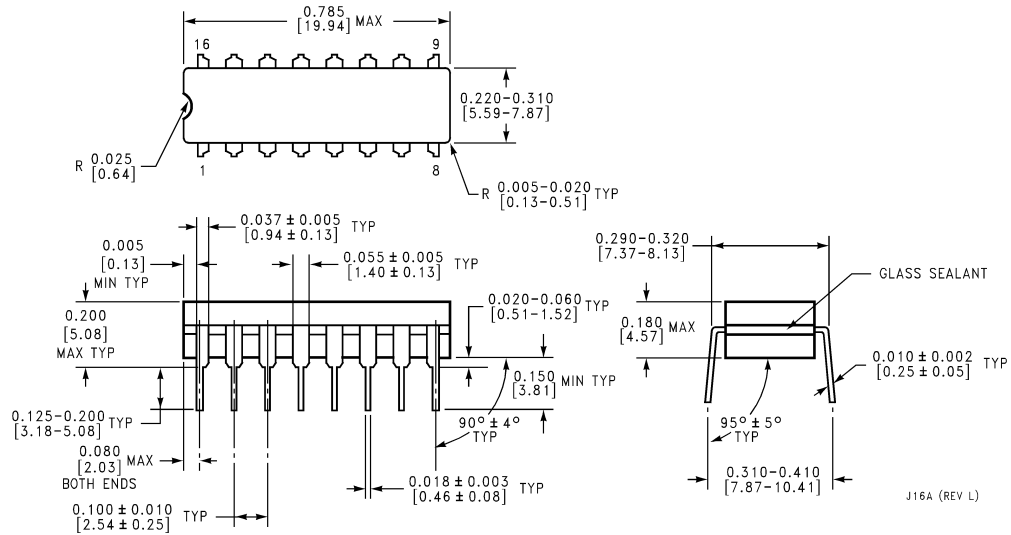


Physical Dimensions inches (millimeters) unless otherwise noted



Ceramic Leadless Chip Carrier Package (E)
Order Number 54LS283LMB
Package Number E20A

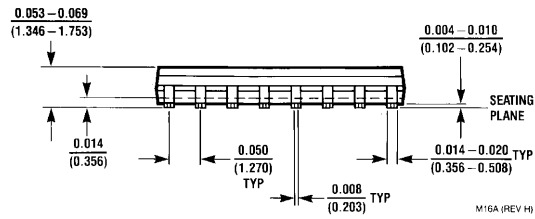
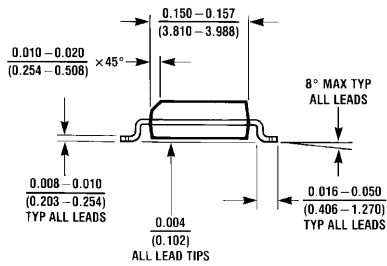
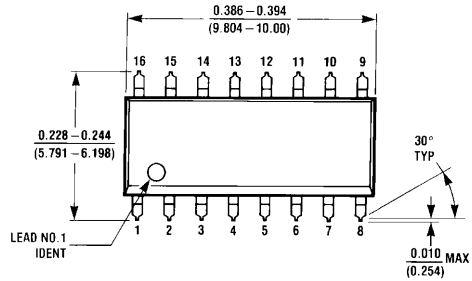
E20A (REV D)



16-Lead Ceramic Dual-In-Line Package (J)
Order Number 54LS283DMQB or DM54LS283J
Package Number J16A

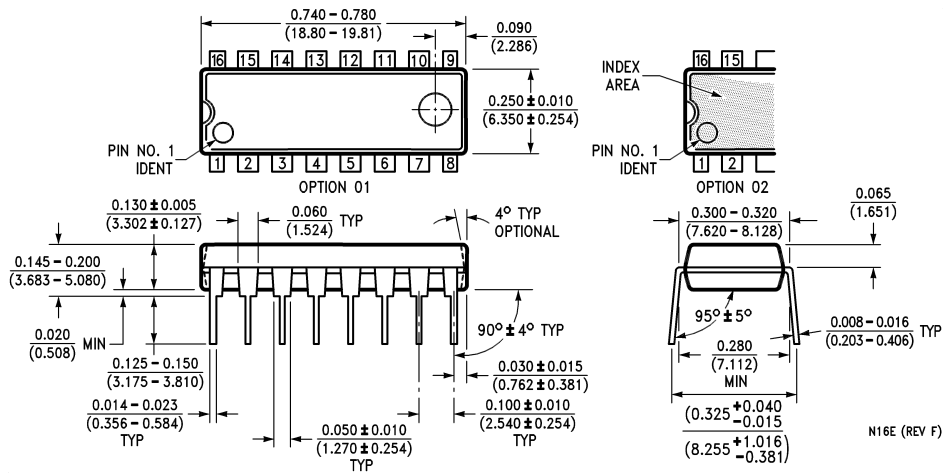
J16A (REV L)

Physical Dimensions inches (millimeters) unless otherwise noted (Continued)



M16A (REV H)

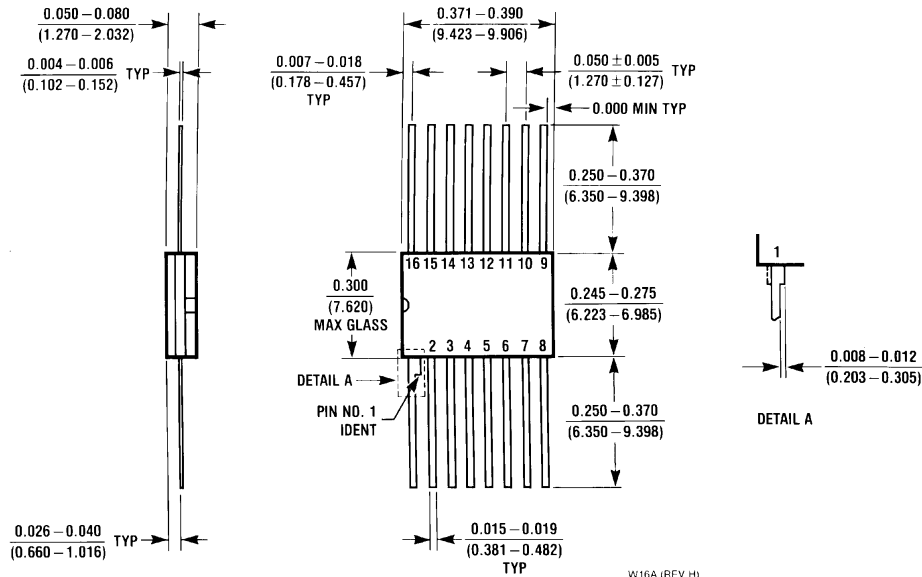
16-Lead Small Outline Molded Package (M)
Order Number DM74LS283M
Package Number M16A



N16E (REV F)

16-Lead Molded Dual-In-Line Package (N)
Order Number DM74LS283N
Package Number N16E

Physical Dimensions inches (millimeters) unless otherwise noted (Continued)



16-Lead Ceramic Flat Package (W)
Order Number 54LS283FMQB or DM54LS283W
Package Number W16A

LIFE SUPPORT POLICY

FAIRCHILD'S PRODUCTS ARE NOT AUTHORIZED FOR USE AS CRITICAL COMPONENTS IN LIFE SUPPORT DEVICES OR SYSTEMS WITHOUT THE EXPRESS WRITTEN APPROVAL OF THE PRESIDENT OF FAIRCHILD SEMICONDUCTOR CORPORATION. As used herein:

- Life support devices or systems are devices or systems which, (a) are intended for surgical implant into the body, or (b) support or sustain life, and (c) whose failure to perform when properly used in accordance with instructions for use provided in the labeling, can be reasonably expected to result in a significant injury to the user.
- A critical component in any component of a life support device or system whose failure to perform can be reasonably expected to cause the failure of the life support device or system, or to affect its safety or effectiveness.

Fairchild Semiconductor Corporation Americas
 Customer Response Center
 Tel: 1-888-522-5372

Fairchild Semiconductor Europe
 Fax: +49 (0) 1 80-530 85 86
 Email: europe.support@nsc.com
 Deutsch Tel: +49 (0) 8 141-35-0
 English Tel: +44 (0) 1 793-85-68-56
 Italy Tel: +39 (0) 2 57 5631

Fairchild Semiconductor Hong Kong Ltd.
 13th Floor, Straight Block,
 Ocean Centre, 5 Canton Rd.
 Tsimshatsui, Kowloon
 Hong Kong
 Tel: +852 2737-7200
 Fax: +852 2314-0061

National Semiconductor Japan Ltd.
 Tel: 81-3-5620-6175
 Fax: 81-3-5620-6179

www.fairchildsemi.com